

LUBRICATION

LO10-3930-622-12-1

ORDER

8 DECEMBER 1972 (Supersedes LO10-3930-622-12-1 dated 23 JUNE 1970)

TRUCK, LIFT, FORK: GASOLINE ENGINE, PNEUMATIC TIRES, 6,000 LB CAPACITY, 173 IN LIFT (BAKER MODEL FJF-060) (ARMY MODEL MHE-210) W/ENGINE HERCULES MODEL QXDL3ER

Reference: LO10-3930-622-12-2 and FEDERAL SUPPLY CATALOG C9100-IL

Intervals are based on normal hours of operation. Adjust to compensate for abnormal operation and severe conditions. During inactive periods, sufficient lubrication must be performed for adequate preservation.

Relubricate after washing.

Clean fitting before lubricating.

Clean parts with SOLVENT, dry-cleaning, or with OIL, fuel, Diesel. Dry before lubricating.

Lubricate points indicated by dotted arrow shaft on both sides of equipment.

A dotted circle indicates a drain below.

Drain crankcase, hydraulic reservoir, and transmission when hot. Fill and check level.

* The time specified is the time required to perform all services at the particular interval.

*TOTAL MAN-HR		*TOTAL MAN-HR	
INTERVAL	MAN-HR	INTERVAL	MAN-HR
10	.1	250	1.9
50	.4	500	.4
		1000	3.0

FOLD

FOLD

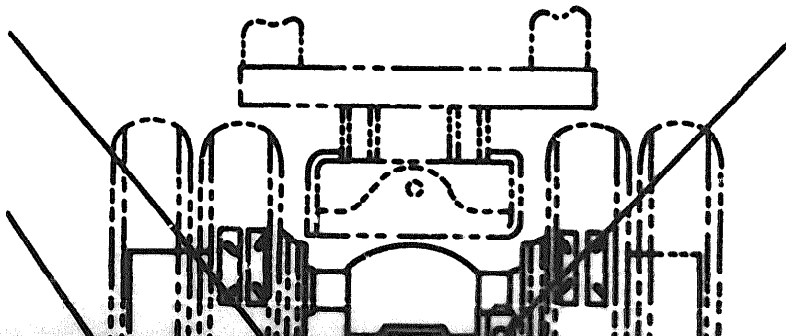
LUBRICANT ● INTERVAL

INTERVAL ● LUBRICANT

Hydraulic Reservoir Filter
(Replace element)

Hydraulic Reservoir OE/HDO
Fill Cap
(See key.)

500



50

HBA

Brake Master Cylinder
Fill and Level
(Check level)

Clean fitting before lubricating.

Clean parts with SOLVENT, dry-cleaning, or with OIL, fuel, Diesel. Dry before lubricating.

sion when hot. Fill and check level.

* The time specified is the time required to perform all services at the particular interval.

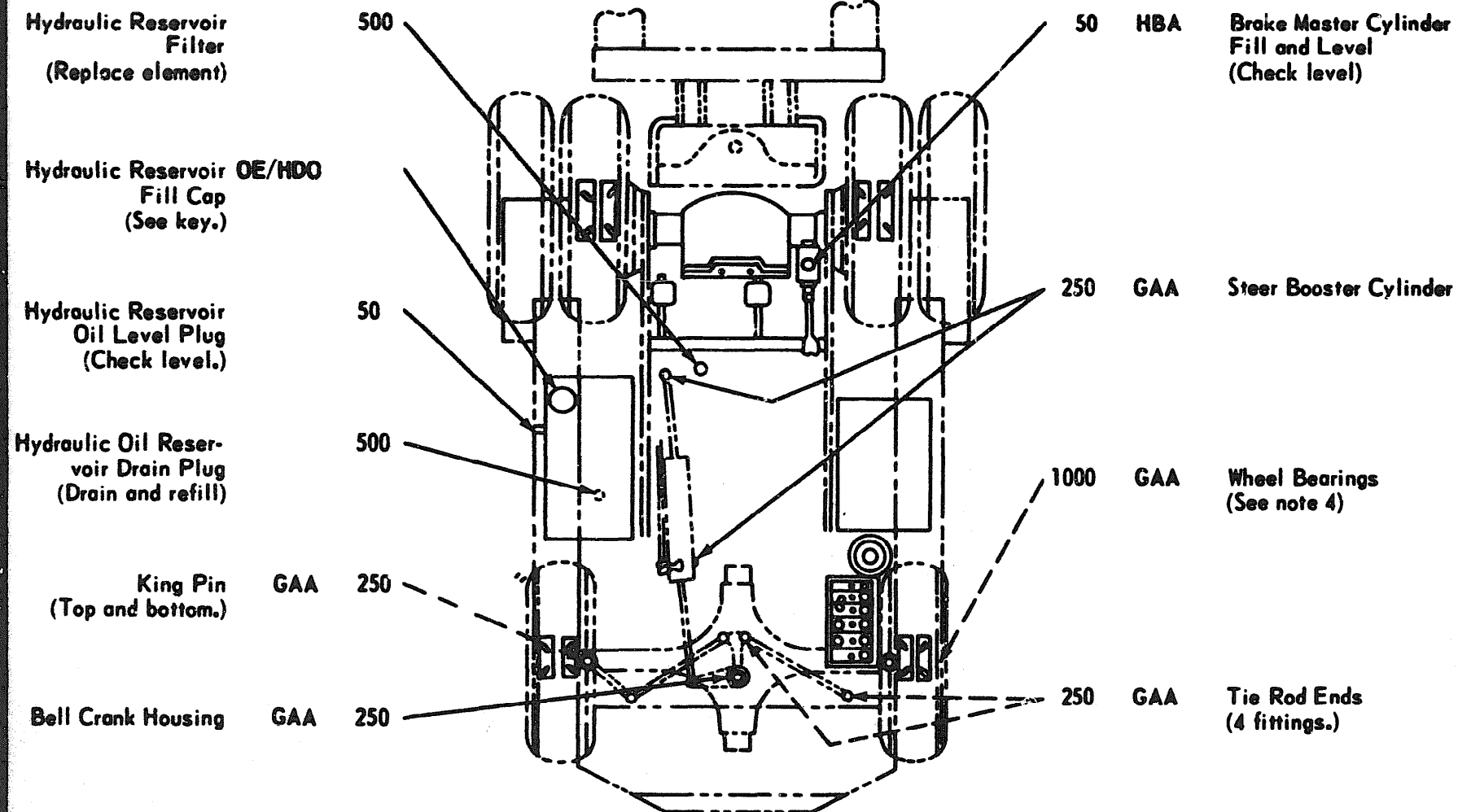
* TOTAL MAN-HR		* TOTAL MAN-HR	
INTERVAL	MAN-HR	INTERVAL	MAN-HR
10	.1	250	1.9
50	.4	500	.4
		1000	3.0

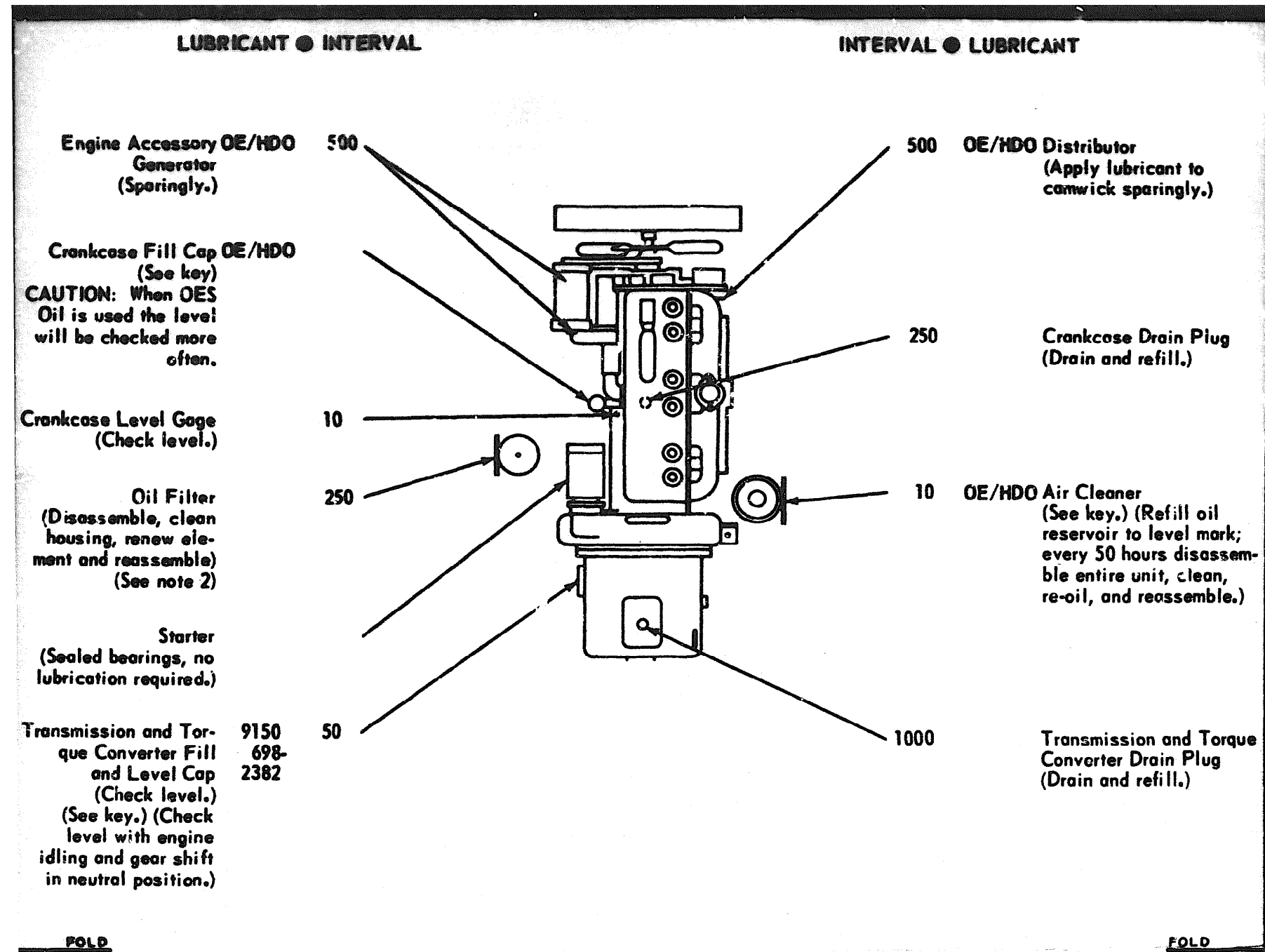
FOLD

FOLD

LUBRICANT ● INTERVAL

INTERVAL ● LUBRICANT





-KEY-

LUBRICANTS	CAPACITY	EXPECTED TEMPERATURES			INTERVALS
		Above +32° F	+40° F to -10° F	0° F to -65° F	
OE/HDO-LUBRICATING OIL, Engine					Intervals given are in hours of normal operation
Crankcase w oil filter	6 qt	OE/HDO 30	OE/HDO 10	OES	
Air Cleaner	1 2 qt				
Oil Can Points					
Hydraulic Oil Reservoir	38 qt	OE/HDO 10			
OES-LUBRICATING OIL, Engine Sub-zero					
HYDRAULIC FLUID		9150-698-2382			
Transmission & Converter	10 qt				

Starter
(Sealed bearings, no
lubrication required.)

Transmission and Tor-
que Converter Fill
and Level Cap
(Check level.)
(See key.) (Check
level with engine
idling and gear shift
in neutral position.)

9150
698-
2382

50

1000

Transmission and Torque
Converter Drain Plug
(Drain and refill.)

FOLD

FOLD

-KEY-

LUBRICANTS	CAPACITY	EXPECTED TEMPERATURES			INTERVALS
		Above +32° F	+40° F to -10° F	0° F to -65° F	
OE/HDO-LUBRICATING OIL, Engine		OE/HDO 30	OE/HDO 10	OES	Intervals given are in hours of normal operation
Crankcase W oil filter	6 qt				
Air Cleaner	1 2 qt				
Oil Can Points					
Hydraulic Oil Reservoir	38 qt	OE/HDO 10			
OES-LUBRICATING OIL, Engine Sub-zero		9150-698-2382			
HYDRAULIC FLUID					
Transmission & Converter	10 qt				
HBA-BRAKE FLUID, Automotive		ALL TEMPERATURES			
Brake Master Cylinder	1 2 pt				
GAA-GREASE, Automotive and Artillery					

NOTES:

1. FOR OPERATION OF EQUIPMENT IN PROTRACTED COLD TEMPERATURES BELOW -10° F. Remove lubricants prescribed in the key for temperatures above -10° F. Relubricate with lubricants specified in the key for temperatures below -10° F.

2. OIL FILTER. After installing new filter element, fill crankcase, operate engine 5 minutes, check housing for leaks, check crankcase oil level and bring to full mark.

3. OIL CAN POINTS. Every 250 hours, lubricate accelerator pivot points, and all adjusting threads with OE/HDO.

4. WHEEL BEARINGS. Every 1000 hours remove wheels; clean and inspect all parts, replace damaged or worn parts, repack bearings, and reassemble.

5. LUBRICANTS. The following is a list of lubricants with the Military Symbols and applicable Specification numbers.

OE/HDO MIL-L-2104C OES MIL-L-10295 HBA MIL-H-13910
GAA MIL-G-10924 9150-698-2382-HYDRAULIC FLUID.

6. HYDRAULIC SYSTEM. Every 1000 hours, drain reservoir. Replace disposable filter, fill reservoir, operate hydraulic controls, check for leaks, check oil level and bring to full mark. Check oil level with forks lowered and uprights in a vertical position.

Copy of this Lubrication Order will remain with the equipment at all times; instructions contained herein are mandatory.

BY ORDER OF THE SECRETARY OF THE ARMY:

CREIGHTON W. ABRAMS
General, United States Army
Chief of Staff

OFFICIAL:

VERNE L. BOWERS
Major General, United States Army
The Adjutant General

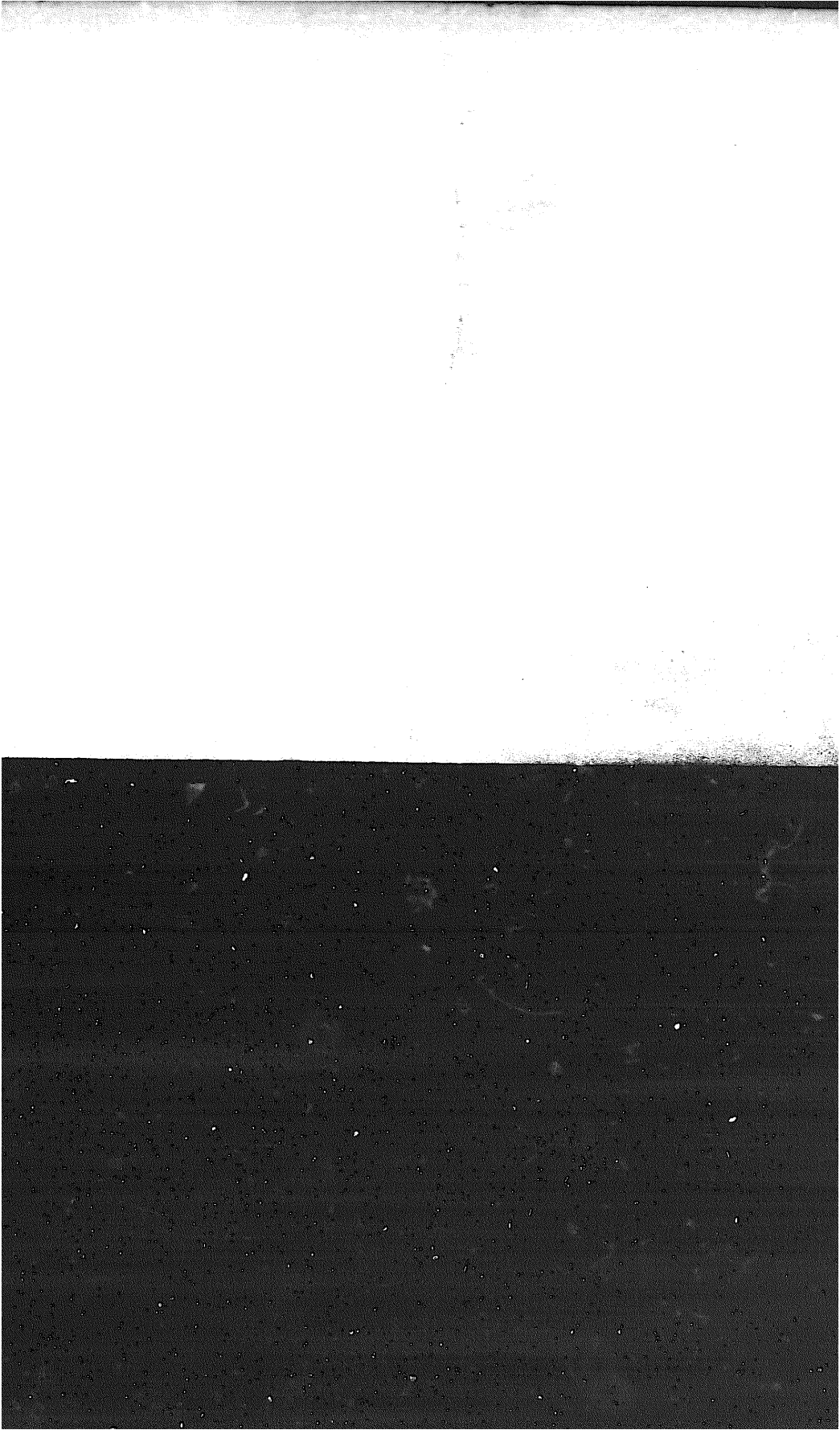
DISTRIBUTION: To be distributed in accordance with DA Form 13-28A (copy per block No. 690) operator maintenance requirements for Warehouse Equipment.

END

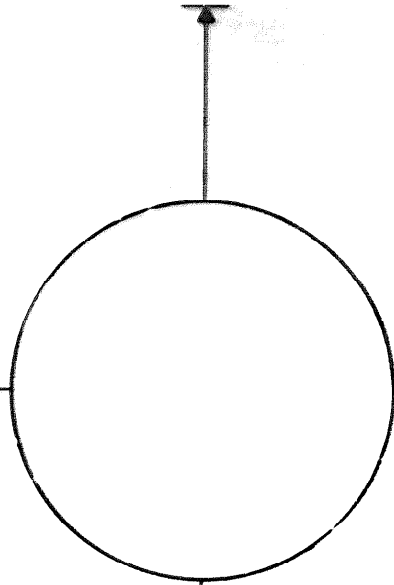
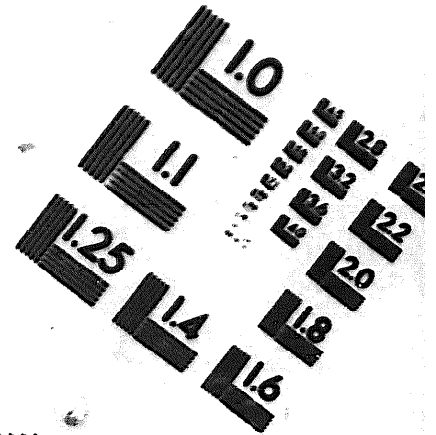
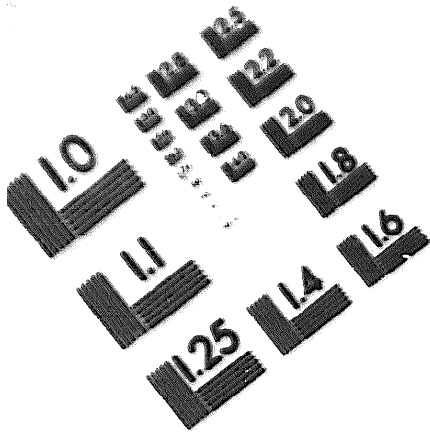
7-25-83

DATE





DEPARTMENT OF THE ARMY
MICROFORM
TEST TARGET



1.0 mm (ø= 21 mm)

ABCDEFGHIJKLMN OPQRSTUVWXYZ 1234567890
abcdefghijklmnopqrstuvwxyz \$%&' /%# ½ ¼ ¾ — = + x & @ *

1.5 mm (ø= 1.09 mm)

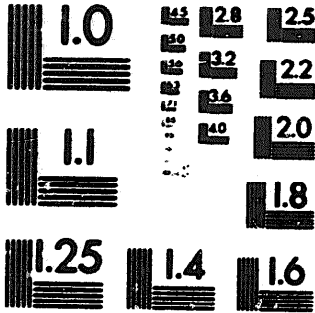
ABCDEFGHIJKLMN OPQRSTUVWXYZ 1234567890
abcdefghijklmnopqrstuvwxyz \$%&' /%# ½ ¼ ¾ — = + x & @ *

2.0 mm (ø= 1.37 mm)

ABCDEFGHIJKLMN OPQRSTUVWXYZ
abcdefghijklmnopqrstuvwxyz
1234567890 \$%&' /%# ½ ¼ ¾ — = + x & @ *

2.5 mm (ø= 1.77 mm)

ABCDEFGHIJKLMN OPQRSTUVWXYZ
abcdefghijklmnopqrstuvwxyz
1234567890 \$%&' /%# ½ ¼ ¾ — = + x & @ *



1.0 mm (ø= 21 mm)

ABCDEFGHIJKLMN OPQRSTUVWXYZ 1234567890
abcdefghijklmnopqrstuvwxyz \$%&' /%# ½ ¼ ¾ — = + x & @ *

1.5 mm (ø= 1.09 mm)

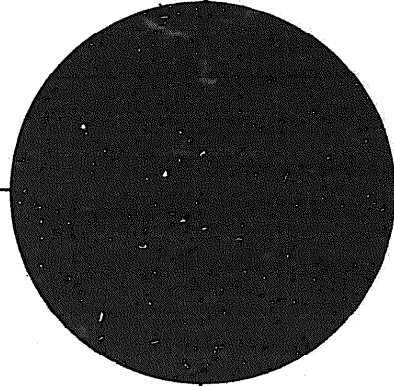
ABCDEFGHIJKLMN OPQRSTUVWXYZ 1234567890
abcdefghijklmnopqrstuvwxyz \$%&' /%# ½ ¼ ¾ — = + x & @ *

2.0 mm (ø= 1.37 mm)

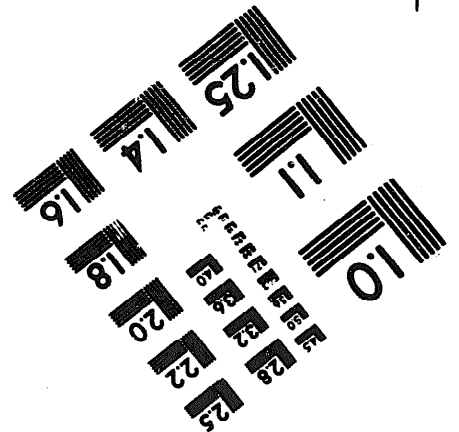
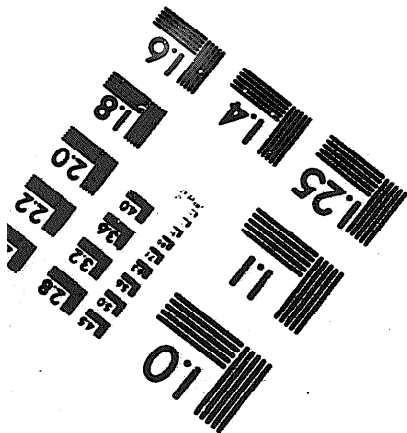
ABCDEFGHIJKLMN OPQRSTUVWXYZ
abcdefghijklmnopqrstuvwxyz
1234567890 \$%&' /%# ½ ¼ ¾ — = + x & @ *

2.5 mm (ø= 1.77 mm)

ABCDEFGHIJKLMN OPQRSTUVWXYZ
abcdefghijklmnopqrstuvwxyz
1234567890 \$%&' /%# ½ ¼ ¾ — = + x & @ *



200 MM



250 MM